



STABILOY®



MC Cable Fittings

Notice: This information is presented in good faith but no warranty, express or implied, is given nor is freedom from any patent owned by Alcan or by others to be inferred. While reference is made to procedures and practices of the National Electrical Code and other specifying agencies, the appropriate local codes must be reviewed prior to any electrical contractor installations.



STABILOY®



Suggested Fittings

TERMINATOR™ Cable Fittings

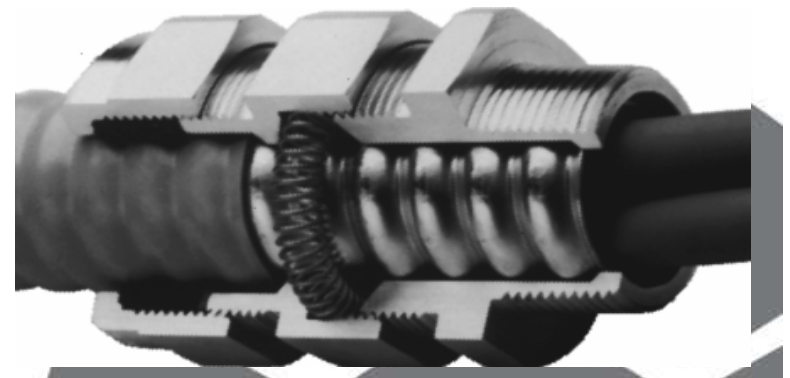
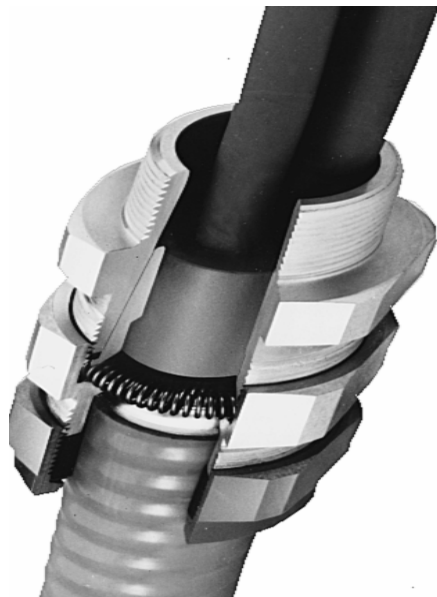
NPT Thread Size	Armor O.D. Range	Non-Hazardous Cat. #	Hazardous Cat. #*	Optional Cold Shrink® Kit Cat. #
3/4	.600 to .850	TMC285	TMCX285	TMC-K2
1	.800 to 1.120	TMC3112	TMCX3112	TMC-K3
1 1/4	1.100 to 1.400	TMC4140	TMCX4140	TMC-K4
1 1/2	1.330 to 1.610	TMC5161	TMCX5161	TMC-K5
2	1.570 to 2.060	TMC6206	TMCX6206	TMC-K6
2 1/2	1.930 to 2.470	TMC7247	TMCX7247	TMC-K7
3	2.450 to 3.020	TMC8302	TMCX8302	TMC-K8
3 1/2	2.950 to 3.520	TMC9352	TMCX9352	TMC-K9

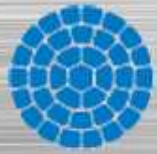
FEATURES

- Eight fittings cover cable O.D. range of .600 to 3.520, in 3/4" to 3-1/2" NPT sizes
- Quick and easy to install; no disassembly is required for TMC installation
- Unique stainless steel grounding retaining spring with copper plate finish provides positive ground continuity and superior pull-out resistance exceeding that required by UL/CSA
- Neoprene bushing provides a watertight seal
- Lightweight, corrosion-resistant/copper free aluminum construction provides long, maintenance-free service life in industrial environments

Certifications and Compliances

- NEC: Class I, Groups A*,B,C,D
Class II, Groups F,G
Class III, Div. 1 and 2 (except when used with Tray Cable)
Article 334, 340, 501-4(b), 502-4(b), 503-3(a)
- NEMA: FB1-1989
- UL Standards: 514B, 886
- Fed. Spec.: W-F-406B
- CSA Standard C22.2 No. 18-M1987
Class I, A,B,C,D SL
Class II, E,F,G
Class III, Enc. 4 locations





STABILOY®

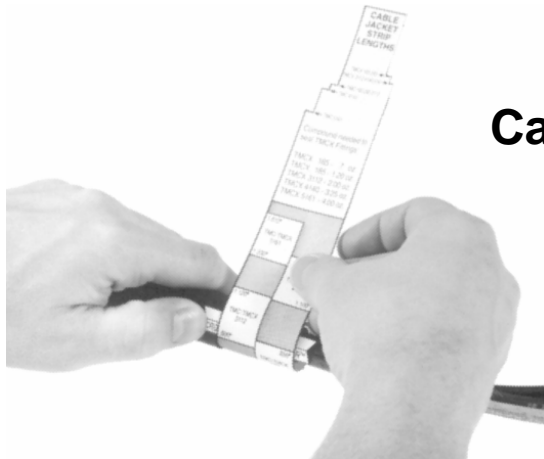
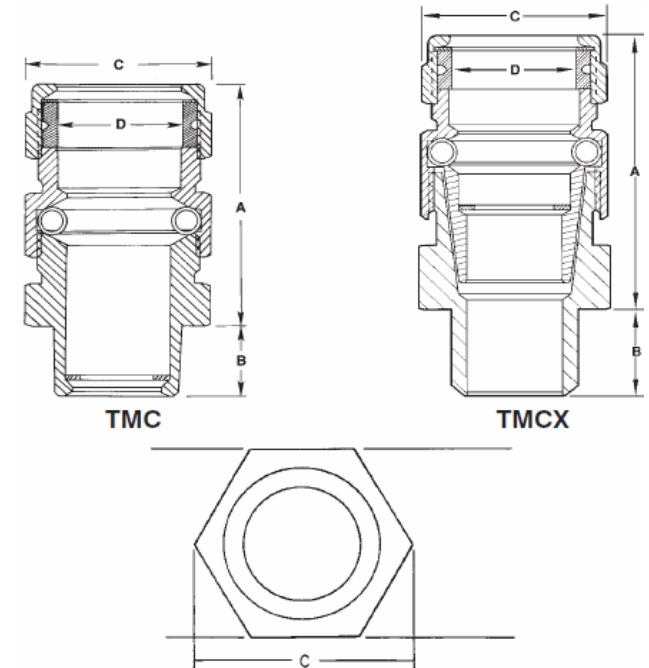


Suggested Fittings

TERMINATOR™ Cable Fittings

Dimensions

NPT Size	TMC Cat. #	A	TMCX Cat. #	A	TMC/TMCX		
					B	C	D
3/4	TMC285	25/8	TMCX285	27/8	25/32	15/8	1
1	TMC3112	25/8	TMCX3112	31/8	15/16	2	15/16
1 1/4	TMC4140	23/4	TMCX4140	31/8	31/32	27/16	15/8
1 1/2	TMC5161	23/4	TMCX5161	33/8	31/32	23/4	125/32
2	TMC6206	4 1/2	TMCX6206	55/16	1	3 1/2	25/16
2 1/2	TMC7247	4 3/4	TMCX7247	6 1/16	17/16	4	223/32
3	TMC8302	47/8	TMCX8302	6 1/16	17/16	47/8	39/32
3 1/2	TMC9352	53/8	TMCX9352	7 3/4	15/8	53/8	325/32



Cable Gauge and Sizer

- Measure the cable armor and select the proper cable fitting.
- Determine how much cable jacket should be removed for proper installation.
- Decide how much compound to pack around the cable for proper installation of TMCX (Haz. Loc.) fittings.

MC Cable fittings Manufacturers

- Arlington
 - <http://www.arlcatalog.com/>
- O-Z/Gedney
 - <http://www.o-zgedney.com/TOCProducts.asp>
- Crouse-Hinds
 - <http://www.crouse-hinds.com/catalog/PDFS/00074to00075.pdf>
- Thomas & Betts
 - <http://www.tnb.com/ps/endeca/index.cgi?a=nav&N=317+2492&Ntt=>
- Appleton
 - [http://appletonelec.com/pdf/CC-8_9\[1\].pdf](http://appletonelec.com/pdf/CC-8_9[1].pdf)
- Bridgeport
 - <http://www.bptfittings.com/Catalog/CatalogSubCategories.aspx?CategoryId=11>
- ADALET-PLM
 - <http://www.adalet.com/store/viewCategories.asp?idCategory=342>
- Killark
 - http://www.hubbellcatalog.com/killark/killark_ss.asp?FAM=KillarkFittings&SOR D=171&SORDSaved=171&FT_171=984&SearchButton.x=56&SearchButton.y=11

Strut Clamp Manufacturer's

- B-Line
 - http://www.b-line.com/product/PDFLibrary/StrutSystems/nav_pipeclamps.htm
- Superstrut
 - <http://www.tnb.com/ps/endeca/index.cgi?a=nav&N=585&Ntt=>
- Caddy
 - <http://www.erico.com/products.asp?folderid=102>
- PowerStrut
 - <http://www.powerstrut.com/powerstrut.html>